

ROPEFLEX

ORYX-H

RX2400H

Assembly Instructions & Manual

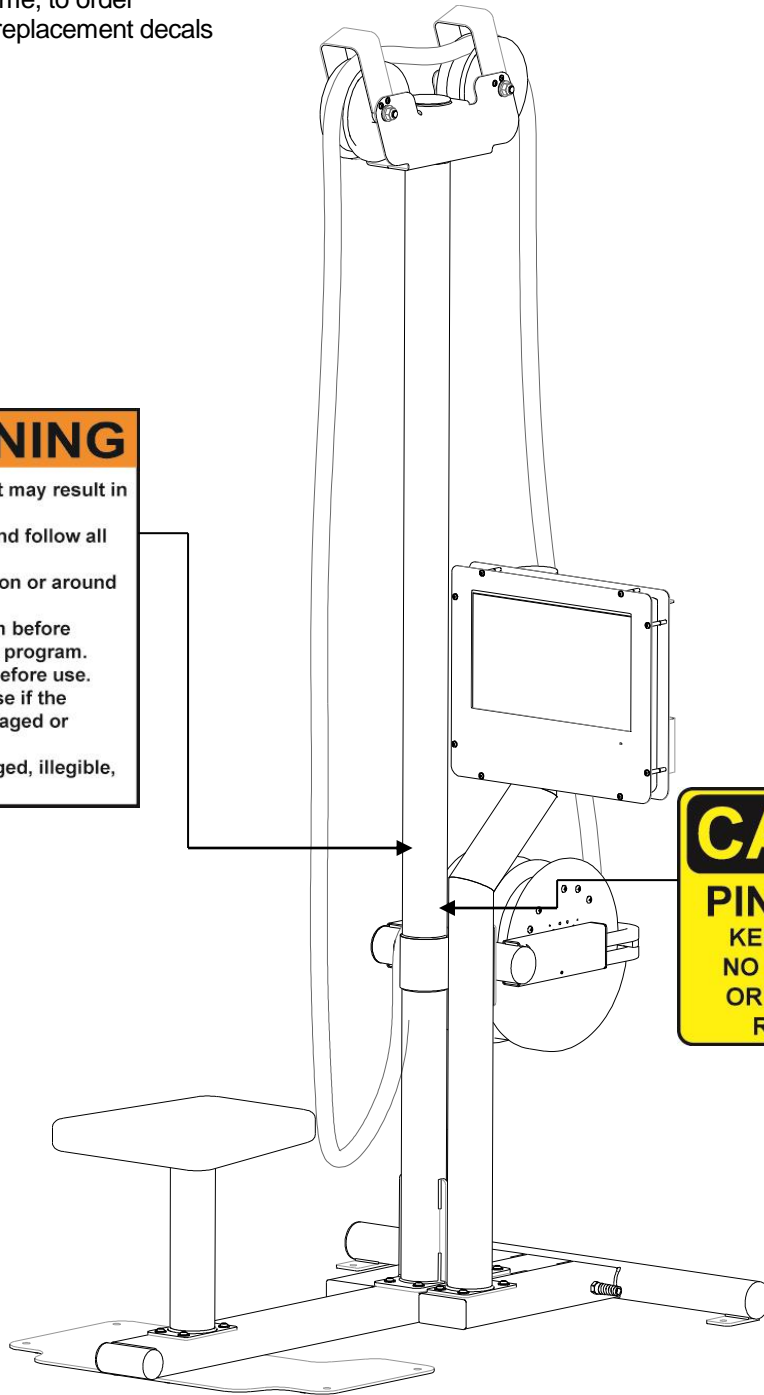
Configuration subject to change

WARNING DECAL PLACEMENT

The decals shown here have been placed on the equipment in indicated locations. If any of the decals are missing or illegible, call us toll-free at 650.549.5888, Monday through Friday, 9 a.m. until 5 p.m. Pacific Time, to order replacement decals. Apply replacement decals in the locations shown.

⚠ WARNING

- Misuse of this product may result in serious injury.
- Read user's manual and follow all warnings.
- Do not allow children on or around machine.
- Obtain a medical exam before beginning an exercise program.
- Inspect the machine before use. Alert to refrain from use if the machine appears damaged or inoperable.
- Replace label if damaged, illegible, or removed.




CAUTION


PINCH POINTS

KEEP HANDS CLEAR
NO LOOSE CLOTHING
OR LONG HAIR NEAR
ROTATING DRUM

IMPORTANT PRECAUTIONS

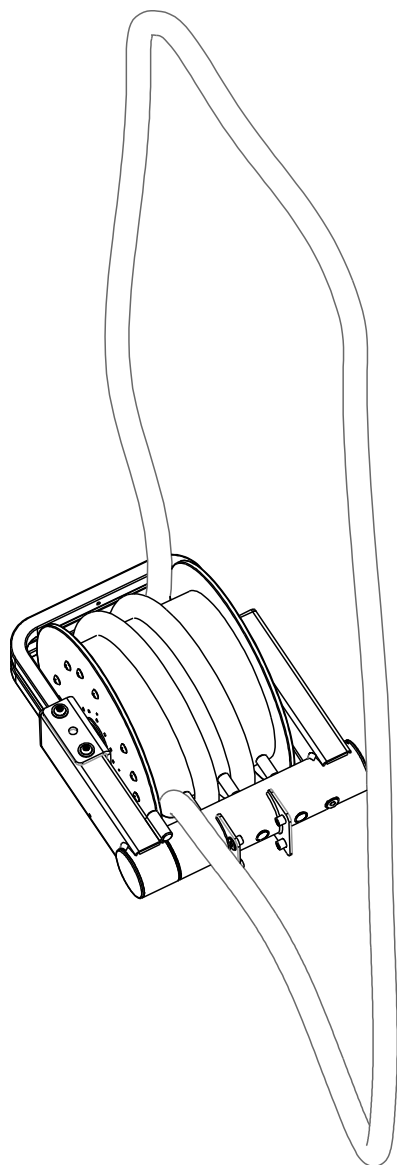
 **WARNING:** To reduce the risk of serious injury, read the following important precautions before using this equipment.

1. Read all instructions in this manual and assemble as described before using this equipment.
2. It is the responsibility of the owner to ensure that all users of this equipment are adequately informed of all precautions.
3. Use this equipment only on a level surface. Cover the floor beneath to protect the surface.
4. Keep children under 12 and pets away from the equipment at all times.
5. Make sure all parts are properly tightened each time you use this machine. Replace any worn parts immediately.
6. Make sure the adjustment knobs are fully engaged / disengaged before using the equipment.
7. Always wear athletic shoes for foot protection while exercising.
8. This equipment is designed to support a maximum user weight of 300 pounds.
9. Pull on one the rope only and never grab a rope in a way that prevents the drum from rotating. Never attempt to hang on the rope. Pull rope with hands only.
10. If you feel pain or dizziness at any time while exercising, stop immediately and begin cooling down.

 **WARNING:** Before beginning this or any exercise program, consult your physician. This is especially important for persons over the age of 35 or persons with pre-existing health problems. Read all instructions before using. HiPEQ assumes no responsibility for personal injury or property damage sustained by or through the use of this product.

Package Contents / Parts List

ITEM	QUANTITY	DESCRIPTION
1	1	ORYX Drum with Rope (For RX2400H)

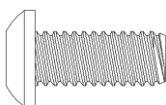


Qty.1
RX2400H Main Rope Drum

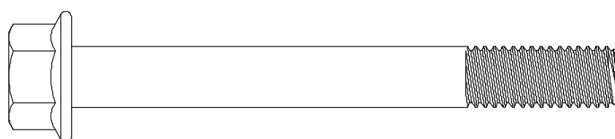
Package Contents / Parts List

continued

ITEM	QUANTITY	DESCRIPTION
1	1	ORYX Main mast
2	1	ORYX Seat
3	2	Rope Pulley
4	1	ORYX Seat stand
6	8	Button Head Screw 5/16" x 1"
7	8	Washer 5/16"
8	4	Washer 1/2"
9	4	Plastic spacer
10	2	Hex Bolt 1/2" x 4-1/2"
11	2	Locknut 1/2"
12	2	ORYX Rope Guard
13	8	Thread Cutting Screw #10-32 x 3/8"



Qty.8
Button Head Screw
5/16" x 3/4"



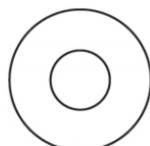
Qty.4
Hex Bolt 1/2" x 4-1/2"



Qty.8
#10-32 Screw



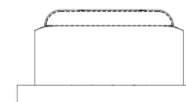
Qty.4
Washer 5/16"



Qty.4
Washer 1/2"



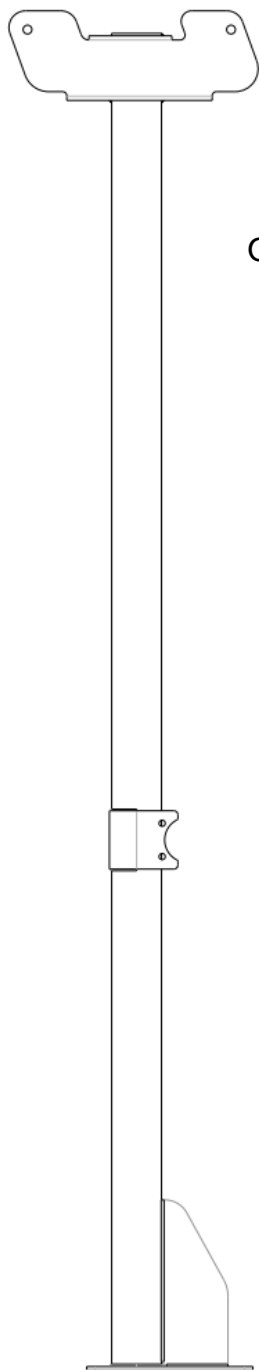
Qty.4
Plastic spacer



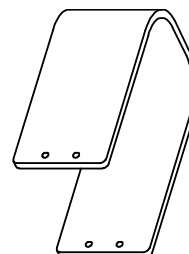
Qty.4
Locknut 1/2"

Package Contents / Parts List

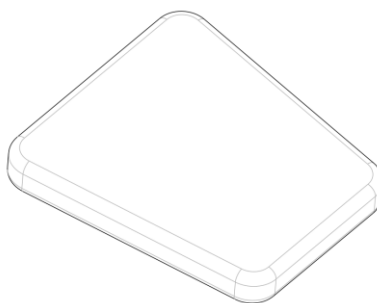
continued



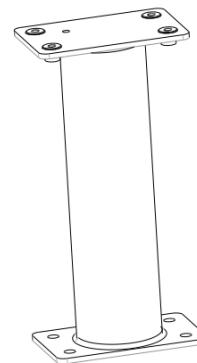
Qty.1
ORYX Main Mast



Qty.2
ORYX Rope Guard



Qty.1
ORYX Seat

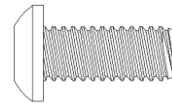


Qty.1
ORYX Seat Stand

Package Contents / Parts List

continued

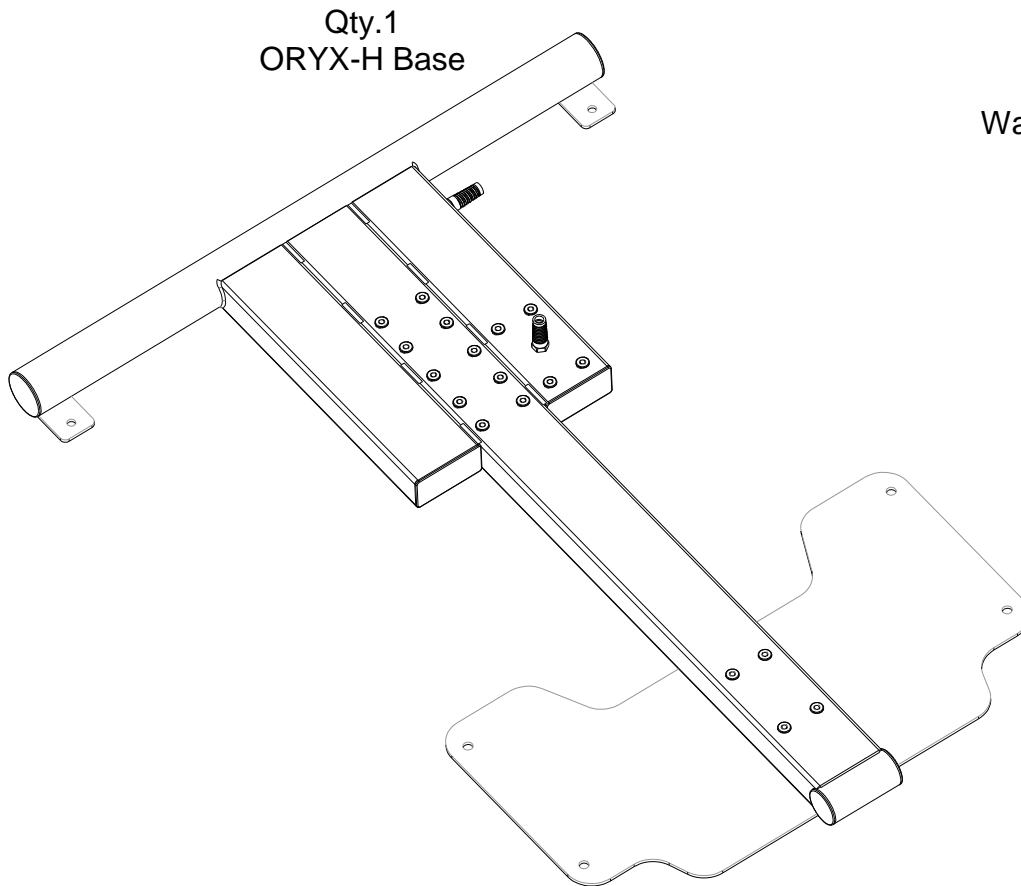
ITEM	QUANTITY	DESCRIPTION
1	1	ORYX-H Base
2	12	Button Head Screw 5/16" x 1"
3	12	Washer 5/16"



Qty.12
Button Head Screw
5/16" x 1"



Qty.12
Washer 5/16"

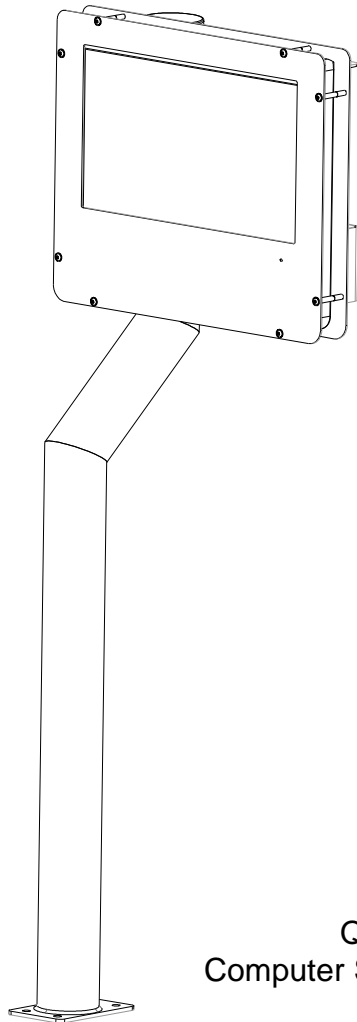


Qty.1
ORYX-H Base

Package Contents / Parts List

continued

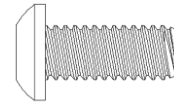
ITEM	QUANTITY	DESCRIPTION
1	1	ORYX-H Computer System Stand
2	1	Computer System Stand Bracket
3	3	Button Head Screw 5/16" x 1"
4	3	Washer 5/16"



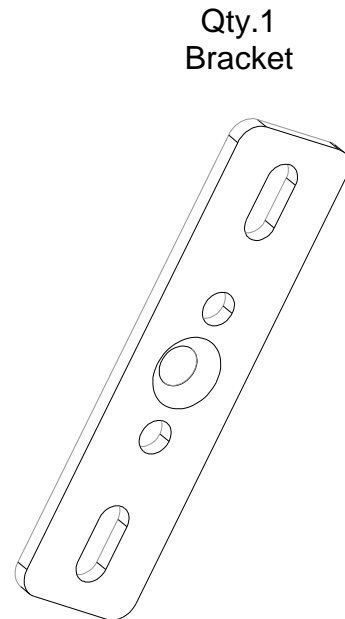
Qty.1
Computer System Stand



Qty.12
Washer 5/16"



Qty.12
Button Head Screw
5/16" x 1"



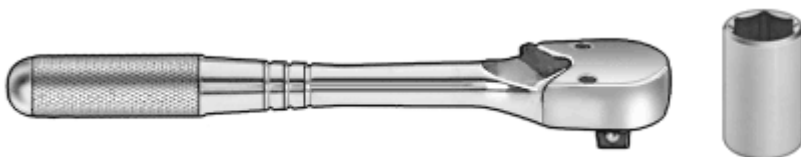
Qty.1
Bracket

Tools Required for Assembly

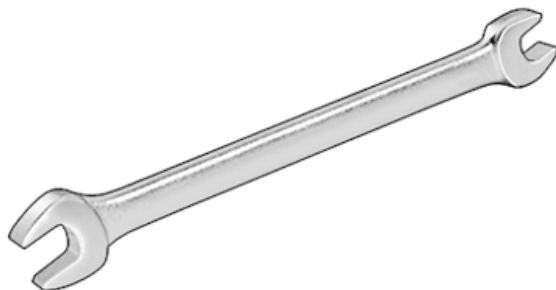
3/16 Hex Key for 5/16" Button Head Screws



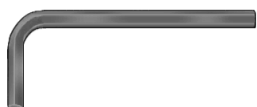
3/4 Hex Socket Ratchet Wrench



3/4 Hex Open Wrench



1/8 Hex Key for 10-32" Button Head Screws



Product Assembly

STEP 1

Parts:

- ORYX Seat stand
- ORYX Seat

Hardware:

- Button Head Screw 5/16" x 1"
- Washer 5/16"

Tools:

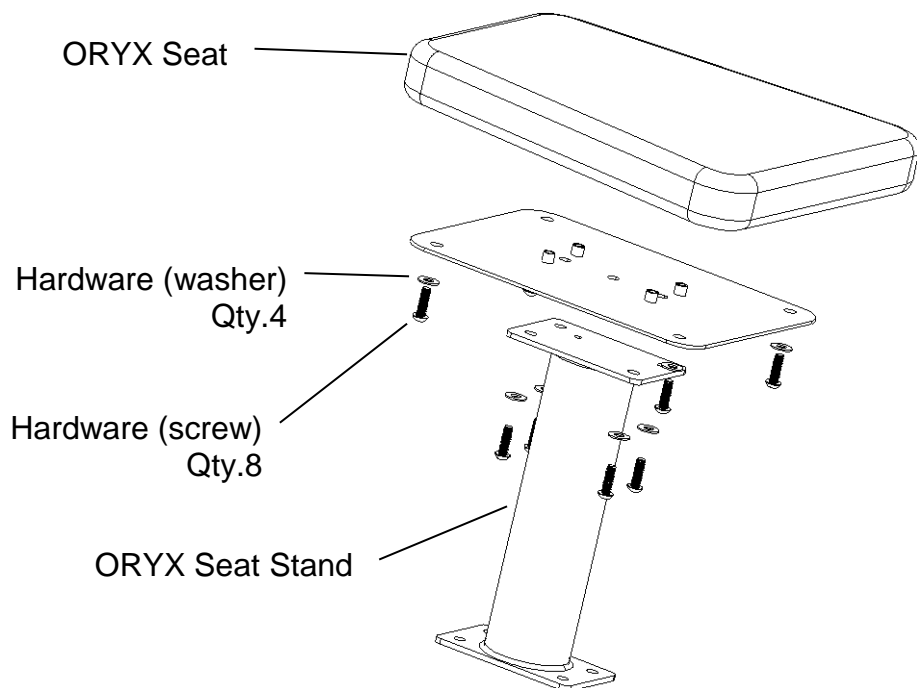
- 3/16 Hex Key for 5/16" Button Head Screws

1-1 Attach ORYX Seat support plate to ORYX Seat stand (Box 2).

1-2 Install and completely tighten the hardware (use screw only).

1-3 Attach item from step 1-2 to ORYX Seat (Box 2).

1-4 Install and completely tighten the hardware (use screw & washer).



Product Assembly

continued

STEP 2

Parts:

- ORYX Main mast
- Rope pulley

Hardware:

- Hex Bolt $\frac{1}{2}$ " x 4-1/2"
- Washer $\frac{1}{2}$ "
- Locknut $\frac{1}{2}$ "
- Plastic spacer

Tools:

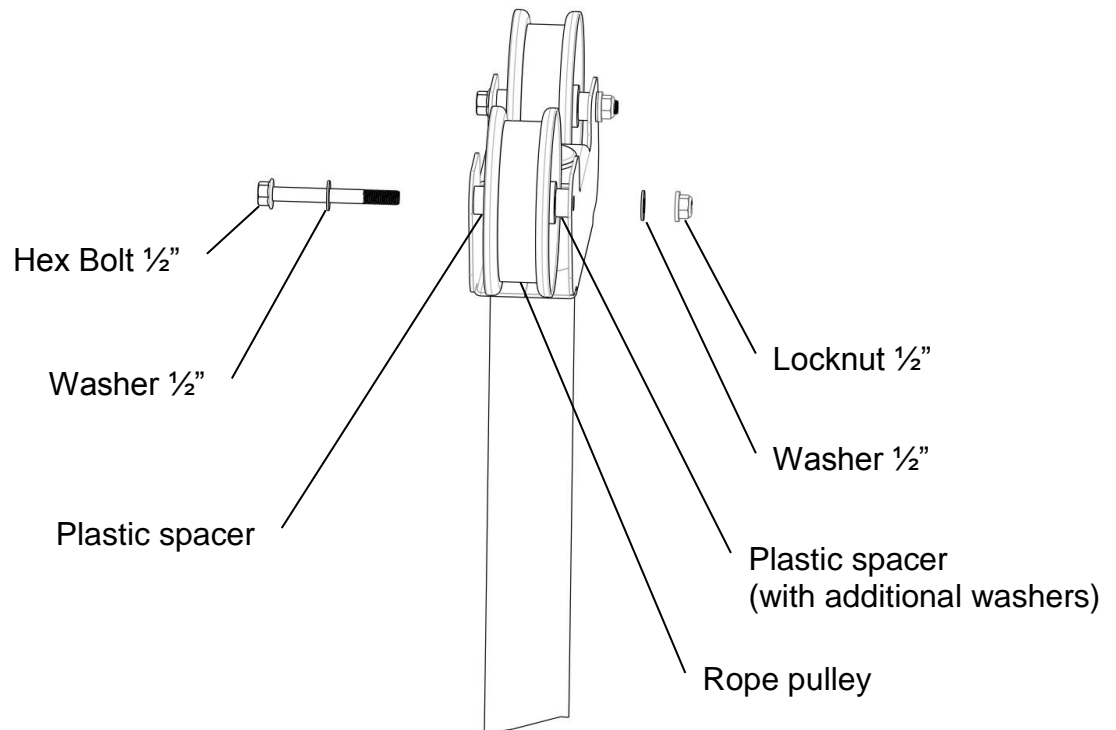
- $\frac{3}{4}$ Hex Socket Ratchet Wrench
- $\frac{3}{4}$ Hex Open Wrench

2-1 Attach Rope pulleys as shown and feed bolts through (Box 2).

2-2 Install and completely tighten the hardware (use bolt, washers & nut).



Note: Do not over-tighten bolts as this may affect performance of the pulleys.



Product Assembly

continued

STEP 3

Parts:

- ORYX Base
- ORYX Drum with Rope
- ORYX Rope Guard
- Assembly from STEP 1
- Assembly from STEP 2

Hardware:

- Button Head Screw 5/16" x 1"
- Washer 5/16"
- Thread Cutting Screw #8-32 x 1/2"

Tools:

- 3/16 Hex Key for 5/16" Button Head Screws

3-1 Attach assembly from STEP 1 to ORYX Base (Box 3).

3-2 Install and completely tighten the hardware (use screw & washer).

3-3 Attach assembly from STEP 2 to assembly from step 3-2

3-4 Install and completely tighten the hardware (use screw & washer).

3-5 Attach ORYX Drum with Rope to assembly from step 3-4.

3-6 Install and completely tighten the hardware (use screw & washer).

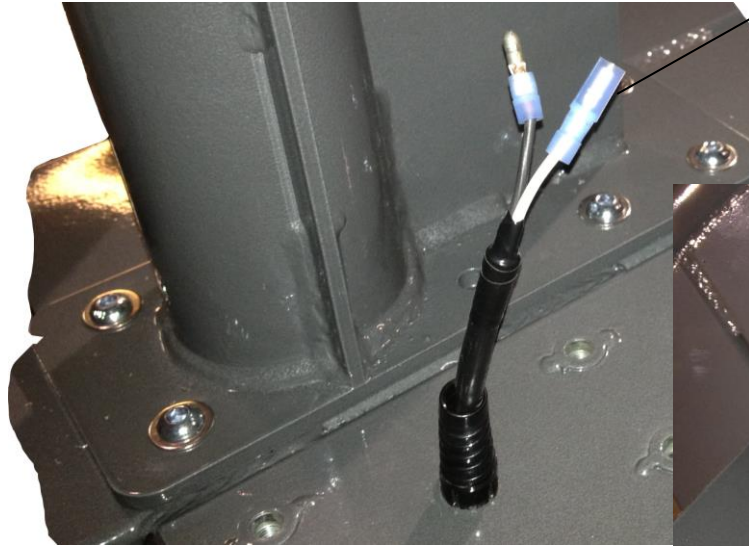
3-7 Install tow rope guards as shown using thread cutting #8-32 x 1/2" screws.



Note: Do not over-tighten screws to avoid stripping threads in plastic rope guards.

Product Assembly

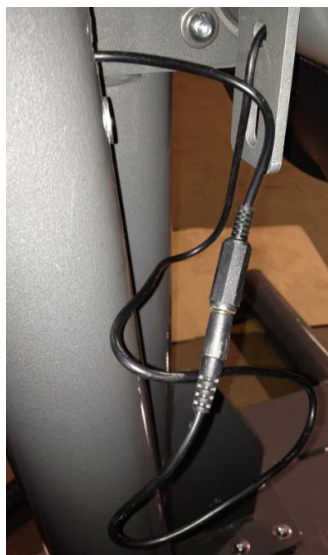
continued



1. Connect power cable on the base with the computer system stand. Push extra wire inside the stand.

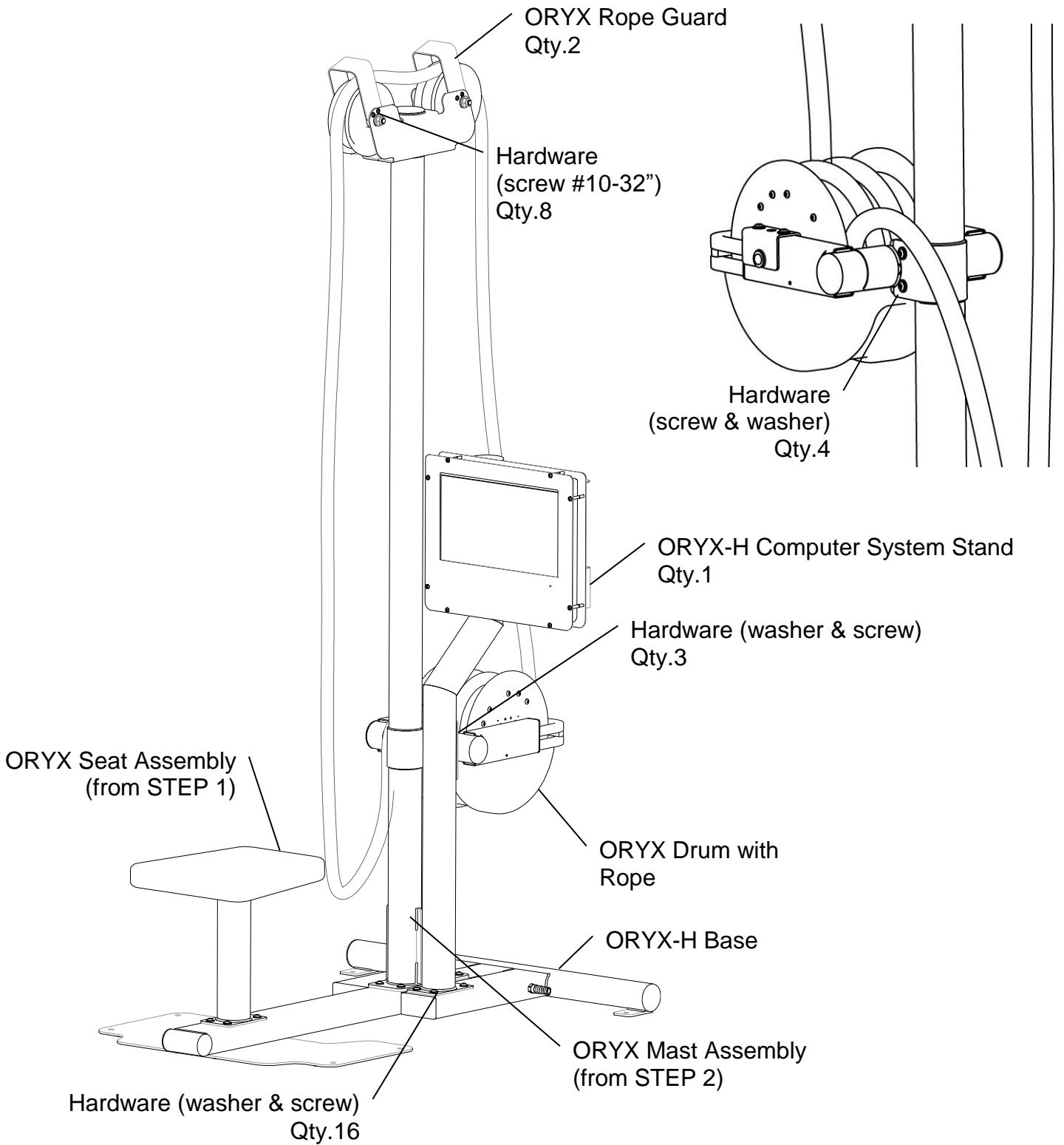


2. Secure bracket as shown and connect sensor wire from main drum to the cable on computer system stand. Push extra cable inside the stand and secure the stand with 2 screws from the back.



Product Assembly

continued



Equipment Maintenance

WARNING: Routine inspection and maintenance is of critical importance to ensure maximum safety and performance. We use the highest quality materials available, but wear is inevitable. Be advised that dangerous conditions can arise even during a warranty period. A warranty does not negate the owner's responsibility to thoroughly, carefully and daily inspect the machine. Consult your physician before starting your exercise program. For your own safety, do not begin any exercise program without proper instruction.

1. Check Rope

While the machine is not in use carefully inspect the rope for damage and tears. Carefully inspect connection of rope ends and make sure that stitching (threads) are not torn or damaged. Do not use equipment until damaged rope has been replaced.

2. Upholstery

Wipe down after every workout.

Periodically take the time to use a mild soap or mild vinyl upholstery cleaner. Avoid using any abrasive cleaner not intended for use on vinyl.

Keep sharp or pointed objects out of your pockets and clear of all upholstery.

3. Nuts/Bolts/Fasteners

Periodically inspect all nuts and bolts. Tighten if needed. If bolts seem to loosen periodically, use Loctite 242 for a long-term cure.

Go through a re-tightening sequence periodically to ensure that all hardware is properly tensioned.

4. Adjustments / Locking Pins / Tightening Knobs

Check all pieces for signs of visible wear or damage.

Check springs in Snap Links and Pop Pins for proper tension and alignment.

If the spring sticks or has lost its rigidity, replace it immediately.

5. Anti-Skid Surfaces

Replace if they appear worn or become slippery.

7. Warning Instruction Labels

Inspect and familiarize yourself with all safety warnings and other user information on decals. Replace decals if damaged, illegible, or removed.

WARRANTY

We strive to offer the simplest and fastest resolution to all product related concerns. Our warranty service program gives its customers the option to return the product for repair, exchange or refund if the product is determined to be defective.

- All products are warranted to the original purchaser.
- Warranties apply and cover all defects in material and workmanship.

Frame (excluding coating): Lifetime
Rope, Sheaves, Bearings and Labor: One-Year
Upholstery and Stitching: 90-Days
Electronics: One-Year

- The customer is responsible for the cost of shipment to HiPEQ and we will be responsible for the cost of shipment back to the customer. Ship to:

HiPEQ LLC.
1017 El Camino Real #310
Redwood City, CA 94063 USA

- Out-of-Warranty Products are repaired only with the customers prior approval.
- 15 Day 100% Satisfaction Guarantee includes full refund of purchase price, less shipping, handling and restocking fee equaling 15% of price during purchase. Email for more details. If you decide to return a HiPEQ product, simply email us within 15 days to ask for a return authorization number (RMA). Items must be returned in original condition and packaging and postmarked no later than 2 weeks after the date of return authorization.

If you have any questions regarding HIPEQ equipment or any instruction found in this document please call 650.549.5888 for assistance.

HIPEQ LLC.
80 Glenn Way STE 8
San Carlos, CA 94070
U.S.A